

Technical data sheet

Kusatek Independent

Gas-powered sauna heating system

The Independent is a compact gas-powered sauna heater for commercial and residential saunas.

With only 0.23 m² footprint and 9 kW effective power it is optimal for saunas up to approx. 16 m³.

The Independent heater suits the installations both with a permanent and a temporary gas supply connection. The set includes all essential components, like the burner, exhaust fan and the K-Tec sauna control unit.

Approved by DVGW.

Features and specs:

Housing:	Stainless steel, approx. 48 x 48 x 85 cm Inc. bottom tray
Design:	Available in two versions: <ul style="list-style-type: none"> Side panels with anthracite finish, corners and top - polished chrome steel Completely in matt black finish
Heating spiral:	Steel pipe as per EN 10219
Stone basket:	~40 kg, 50 - 100 mm caliber (sauna stones optionally available)
Burner:	10 kW, suitable for natural gas, propane and butane.
Exhaust fan:	GE 133, 230 V 1N ~ 50Hz, 75 W
Control unit:	External control unit Kusatek K-Tec

Optional accessories:

- Sauna stones (40 kg required)
- Safety guard rail mounting brackets
- Safety guard rail (wood)
- Gas exhaust pipes (must comply with the firing ordinance of the respective federal state (FeuVO) and the specifications of DIN V 18160-1)



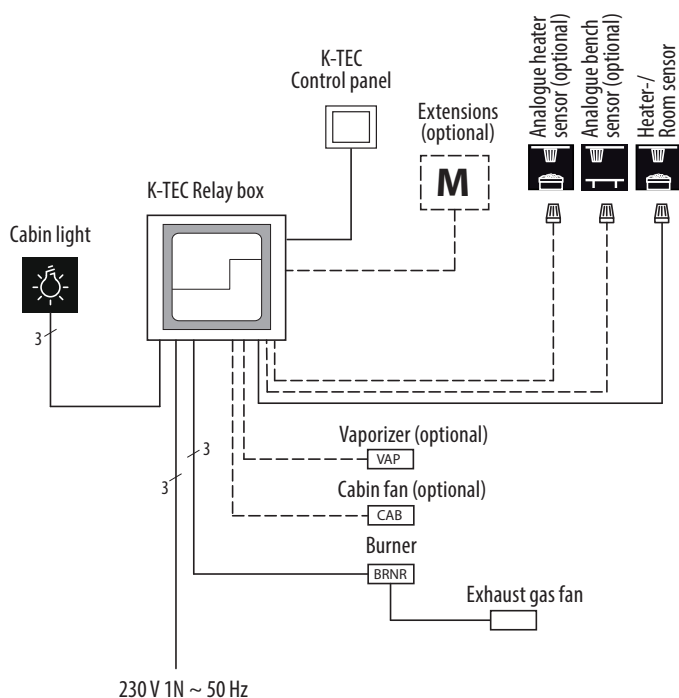
Set includes:

- Housing with bottom tray
- Heating spiral
- 10 kW burner
- Stainless steel burner tube insert
- Connection pipes (heater - burner)
- Wall-through insulation insert
- Exhaust fan with spigot DN 100
- Pressure reducer with connection hose 1.5 m
- K-Tec control unit (see separate data sheet)

Technical specifications

Sauna cabin size	up to approx. 16 m ³
Nominal power (burner)	10 kW
Effective heating power	~9 kW
Heater housing size	~48 x 48 x 85 cm
Weight (heater w/out stones)	110 kg
Control unit	Kusatek K-Tec, external, 230V 1 N ~ 50 Hz
Exhaust fan	GE133, 75 W, 230V 1 N ~ 50 Hz
Stone basket volume	40 kg
Gas pressure	22 – 50 mbar
Gas supply connection	via pressure reducer for usual gas cylinders (permanent gas connection possible)
Gas consumption	≤ 0,9 m ³ /h
Power supply (K-Tec controller)	230 V 1N ~ 50 Hz

Connection overview

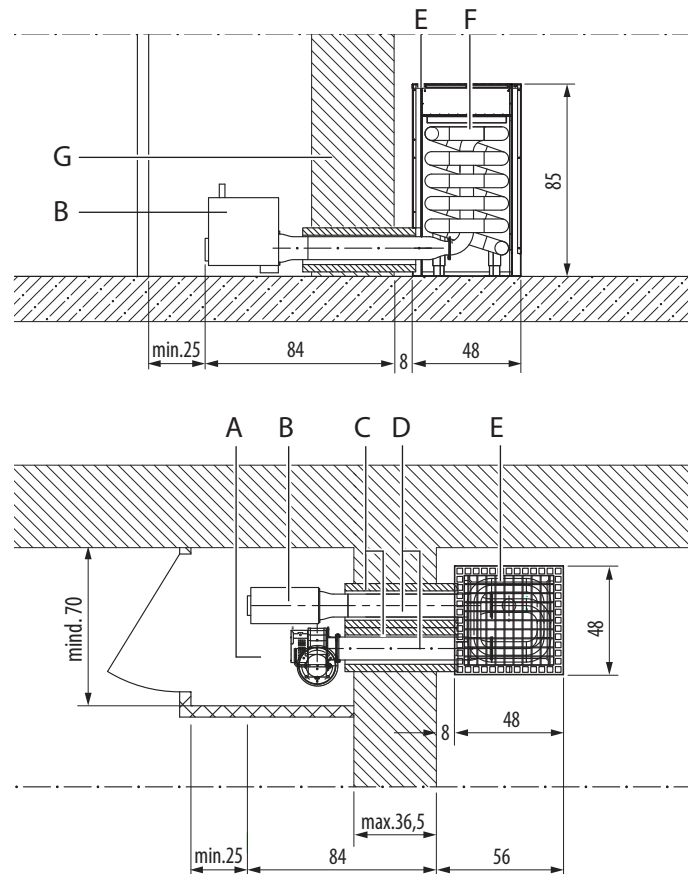


Technical room requirements:

No combustible material may be installed within a distance of 10 cm from the technical components (Fire protection class A1).

A fresh air supply in the technical room must be guaranteed.

Installation example



- A. Exhaust fan
- B. Burner
- C. Wall-through insulation
- D. Connection pipes
- E. Housing of the heater
- F. Heating spiral
- G. Room (sauna) wall

Minimum clearances

