



Technical data sheet

AGON 2

Gas-powered sauna heater for private and commercial operation.

With the Agon 2 you will obtain the most compact gas-powered sauna heater of its class, for private and commercial use. The 50 kg stone volume is an ideal prerequisite for a unique sauna climate and steam-shock experience.

Your advantages:

- Robust, durable construction made of stainless steel.
- Contemporary cubism-style design.
- Extra large 50 kg rock store.
- Low operating costs.
- Reduced CO₂ emissions.
- Mild sauna climate.
- DVGW-certified.

Specifications:

Burner:	Suitable for natural gas, but also for propane and butane gas 10 kW burners
Single spiral:	Steel pipe EN 10219, length depending on the version, adjustable stainless steel feet
Rock store:	Stainless steel frame
Drain pan:	Stainless steel
Fan:	low-noise with temperature lock
Exhaust pipe:	on site
Control panel:	Finnish / vaporizer with additional option



Scope of delivery

1 Kusatherm spiral	1 Box 50 kg sauna stones
1 Burner pipe	1 Installation and operation instruction
1 Flexible pipe	1 Kusatherm housing with stone grate
1 Fan	1 Floor pan
1 Burner 10 kW	2 Wall duct
1 Control unit Basic incl. sensor and safety temperature limiter	

The exhaust system is not included (according to chimney sweep specifications)



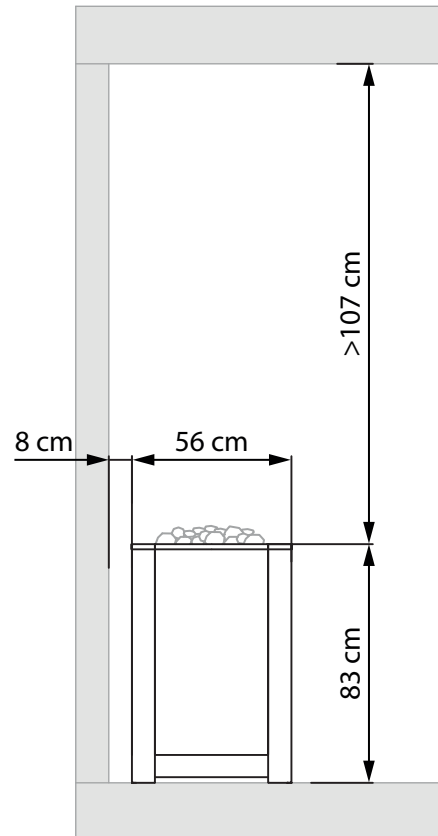
CE MADE IN GERMANY

Technical specifications

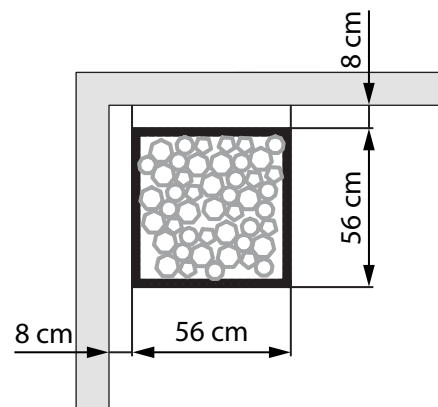
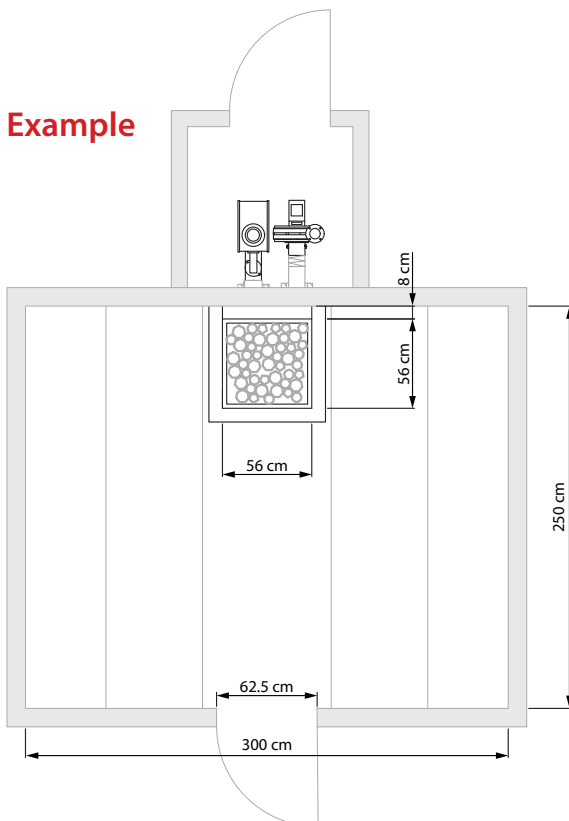
Agon 2		10 kW
Floor-standing model	Type	S-10
Sauna cabin size	m ³	10-18
Power	kW	9
Dimensions of housing	cm	56 x 56 x 83
Weight incl. outer shell	kg	58
Weight stones	kg	50
Burner	Piece	1
Fan (model)	Piece	1
Control unit Basic	Piece	1
Gas pressure natural gas/propan	mbar	22/50
Gas connection	inch	R½
Gas consumption	m ³ /h	> 0,9
Electrical connection	V/Hz	230 V

All heater dimensions are approximate.

Minimum clearances



Example



Druck-Nr.: 29344947_Agon-2 / 20.21